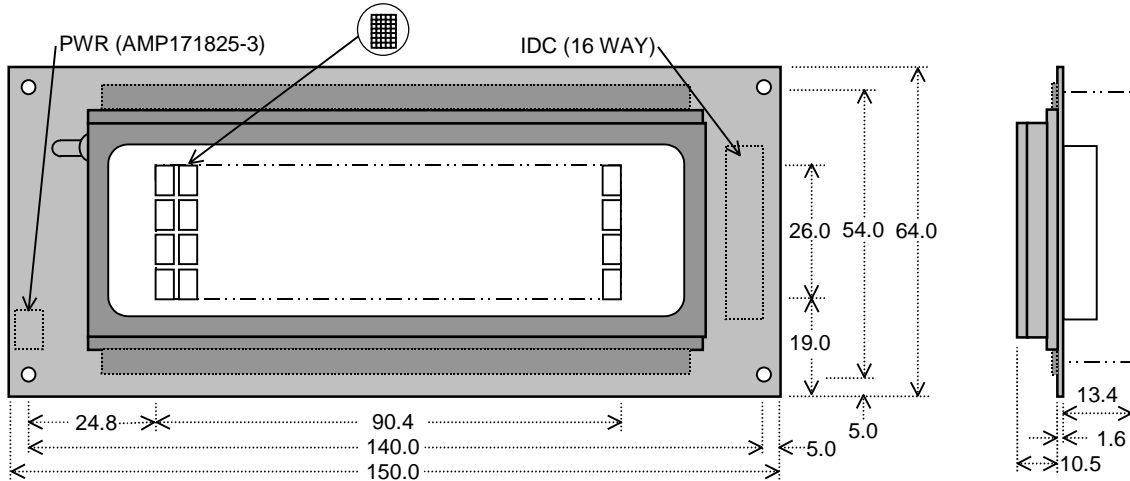


5X7 Dot Character VFD Module

CU20045SCPB-T23A

- ❑ 4 Lines of 20 Characters 5mm High
- ❑ High Speed Parallel/Serial Interface
- ❑ Operating Temp -10°C to +65°C
- ❑ Single 5V Supply
- ❑ High Brightness Blue Green Display
- ❑ ASCII, Katakana & Extended Character Font
- ❑ 2 User Definable Character RAM

The module includes the Vacuum Fluorescent Display glass, driver and micro-controller ICs with refresh RAM, character generator and interface logic. The high speed 8 bit parallel interface is 5V CMOS compatible suitable for connection to a host CPU bus. The asynchronous serial interface accepts baud rates up to 19,200 with or without parity. Two character font tables can be hardware or software selected. User defined characters and many control commands are available.



Dimensions in mm & subject to tolerances. Mounting holes 3.5mm dia.

ELECTRICAL SPECIFICATION

Parameter	Symbol	Value	Condition
Power Supply Voltage	V _{CC}	5.0VDC +/- 5%	GND=0V
Power Supply Current	I _{CC}	400mADC typ.	V _{CC} =5V
Logic High Input	V _{IH}	2.0VDC min.	V _{CC} =5V
Logic Low Input	V _{IL}	0.8VDC max.	V _{CC} =5V
Logic High Output	V _{OH}	2.4VDC min.	I _{OH} = -2.0mA
Logic Low Output	V _{OL}	0.5VDC max.	I _{OL} = 2.0mA

The power on rise time should be less than 50ms. The inrush current at power on can be 2 x I_{CC}.

OPTICAL and ENVIRONMENTAL SPECIFICATIONS

Parameter	Value
Character Size/Pitch (XxY mm)	3.0 x 5.0/4.6 x 7.0
Dot Size/Pitch (XxY mm)	0.4 x 0.5/0.65 x 0.75
Luminance	700 cd/m ² (204 fL) Typ.
Colour of Illumination	Blue-Green (Filter for colours)
Operating Temperature	-10°C to +65°C
Storage Temperature	-40°C to +85°C
Operating Humidity (non condensing)	20 to 80% RH @ 25°C

SOFTWARE COMMANDS

Instruction	D0-D7	Instruction	D0-D7
Back Space	08H	Katakana Font	19H
Horizontal Tab	09H	Escape	1BH
Line Feed	0AH	> Send User Font	+43H
Form Feed	0CH	> Position cursor	+48H
Carriage Return	0DH	> Software Reset	+49H
Clear Display	0EH	> Luminance	+4CH
Increment Write Mode	11H	> Flickerless Write	+53H
Vertical Scroll Mode	12H	> Cursor Blink Speed	+54H
5x7 Block Cursor On	15H	Character Data	20H+
Cursor Off	16H	User Character Data	00H+
International Font	18H		

TIMING PARAMETERS (min)

Data Set Up To Write	100ns	Subject to change without notice.
Write Pulse Width	160ns	Detailed specification on request.
Hold After Write	10ns	IUK Doc Ref:0829 Iss:5 3OCT00

CHARACTER FONTS

	International Font										Additional Katakana Font															
	00	10	20	30	40	50	60	70	80	90	A0	B0	C0	D0	E0	F0	80	90	A0	B0	C0	D0	E0	F0		
00																										
01																										
02																										
03																										
04																										
05																										
06																										
07																										
08																										
09																										
0A																										
0B																										
0C																										
0D																										
0E																										
0F																										

IDC DATA CONNECTOR

Pin	Sig	Pin	Sig
1	D7	9	WR
2	D6	10	CS
3	D5	11	S _{IN} /T _{EST}
4	D4	12	BUSY
5	D3	13	G _{ND} (0V)
6	D2	14	G _{ND} (0V)
7	D1	15	V _{CC} (5V)
8	D0	16	V _{CC} (5V)

3 PIN POWER CONNECTOR

Pin	Sig
1	V _{CC} (5V)
2	S _{IN} /T _{EST}
3	G _{ND} (0V)

Mates with AMP171822-3

PCB JUMPERS (O)PEN (L)INK

Baud	J2	J1	J0
19200	O	O	O
9600	O	O	L
4800	O	L	O
2400	O	L	L
1200	L	O	O
Parity	J4	J3	
EVEN	O	O	
ODD	O	L	
NONE	L	L/O	

Noritake Sales Office Tel Nos
 Nagoya Japan: +81 (0)52-561-9867
 Canada: +1-416-291-2946
 Chicago USA: +1-847-439-9020
 Munchen (D): +49 (0)89-3214-290
 Itron UK: +44 (0)1493 601144
 Rest Europe: +49 (0)61-0520-9220
www.noritake-elec.com